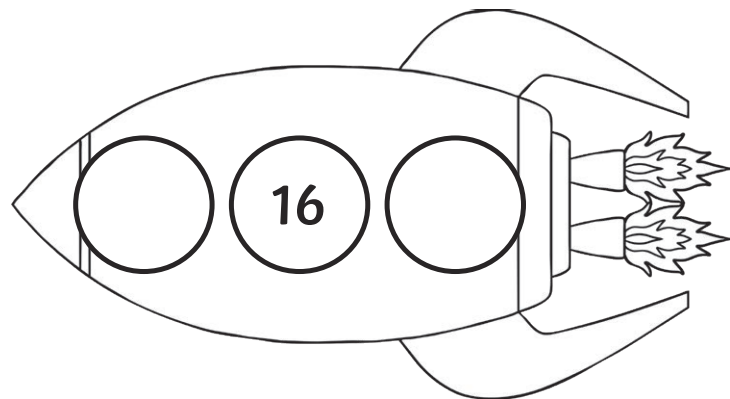
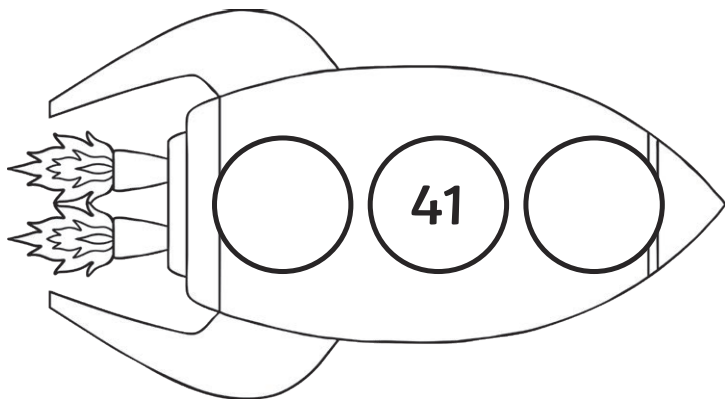
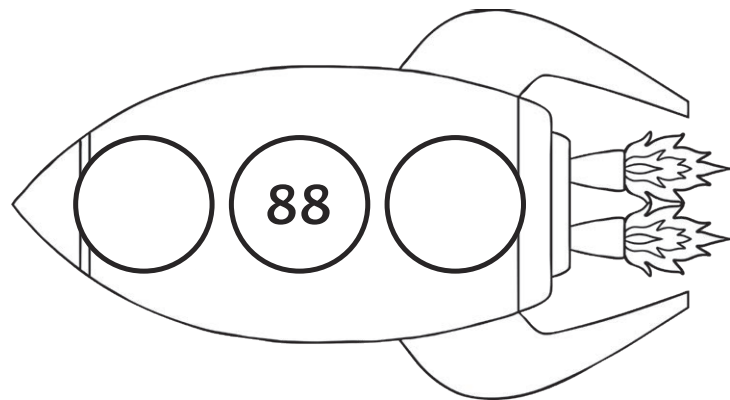
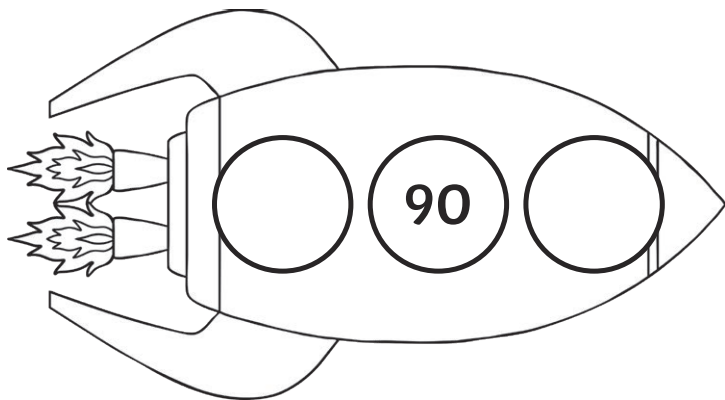
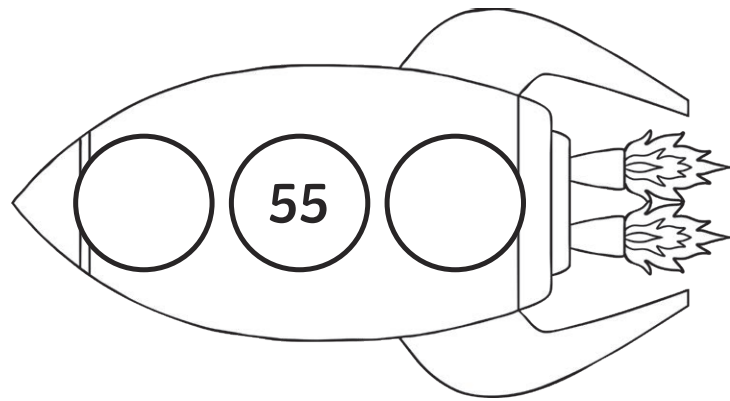
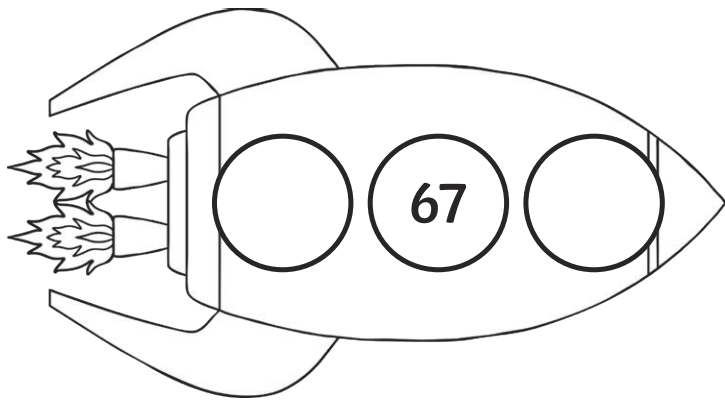
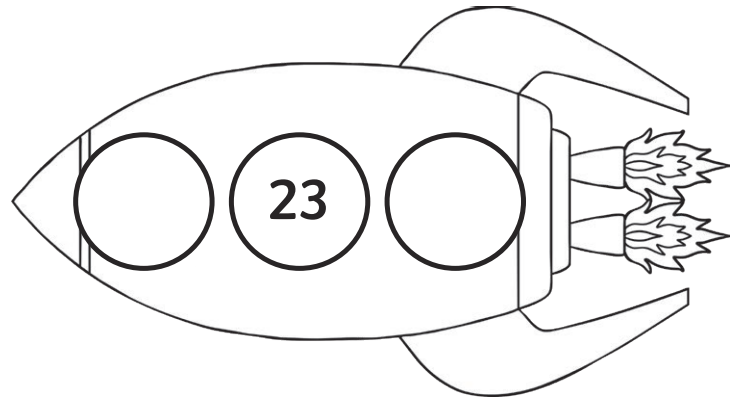
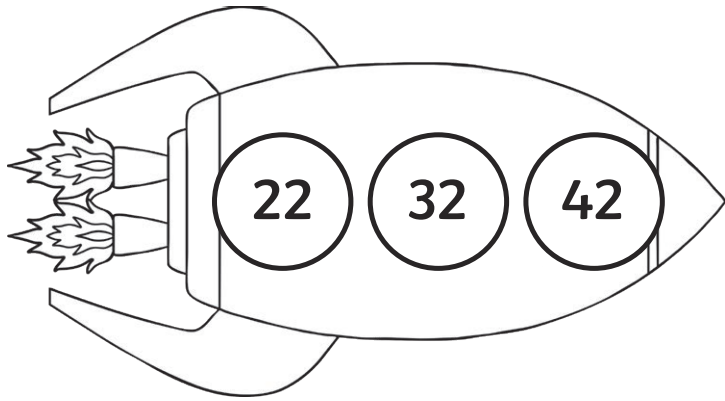


# 10 More and 10 Less

Write the numbers that come 10 before and 10 after.



# 10 More and 10 Less Answers

